

Pack TYXIA 480

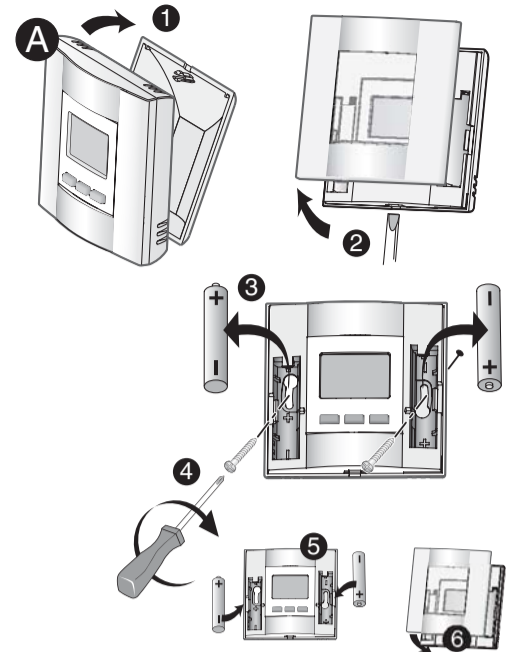
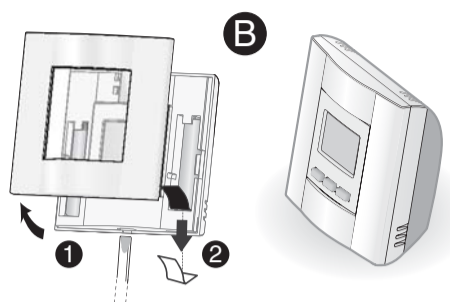
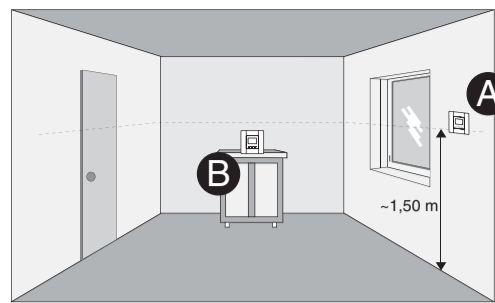
www.deltadore.com

Important product information (2 3)

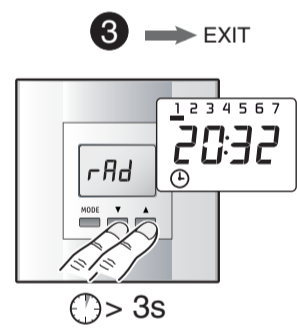
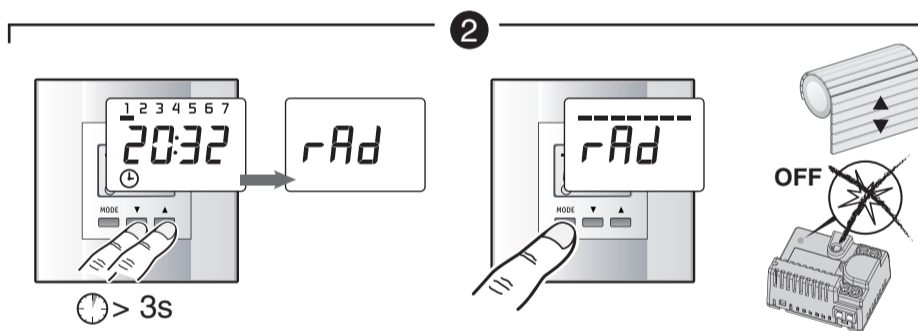
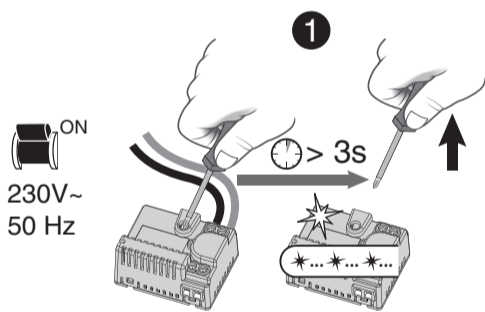
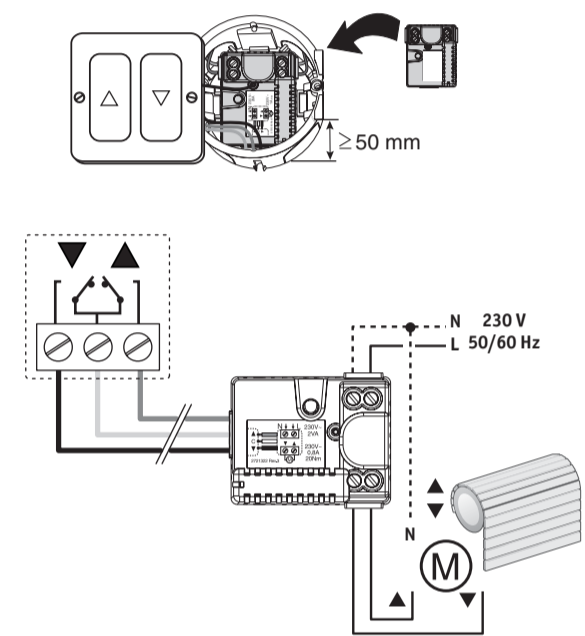
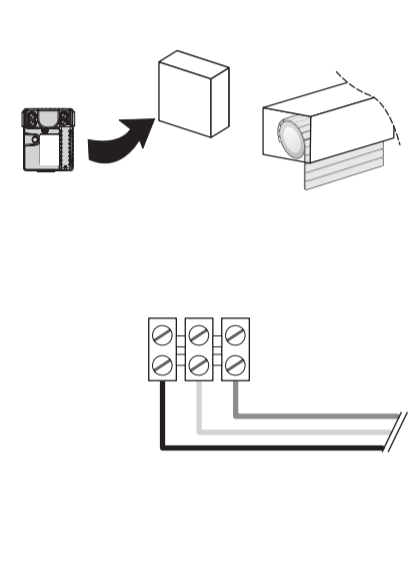


	TYXIA 258		TYXIA 4630
	2 x 1,5V - LR03 (AAA)		230 V~, 50/60 Hz 2 VA
			= Class II
	868 MHz (EN 300 220) 100 m		
			16 max.
°C	-5°C / +40°C		
	80 x 80 x 38 mm		45 x 38 x 23 mm
CE	R&TTE 1999/5/CE		
			230V~ 20 Nm/ 0,8 A/ 180 W

TYXIA 258



TYXIA 4630



31

2011 2106 1725
YYYY MM/DD HH:MM

0 = No 1 = Europe 2 = USA / Canada

P01 P02 P03 P04

P05 P06

06.32 ON 21.47 OFF

00.00 08.00 21.00 23.59

P5 P6

PROG

07.00 ON 20.00 OFF

00.00 23.59

4 max.

GPS Data



	P02	P03	P04
Lat.			
Long.			
Time difference (min.)			

Town / Country	P02	P03	P04
UTC-12h Kwajalein	87	1677	-720
UTC-11h Apia / Samoa	-138	-1717	-600
UTC-10h Honolulu / États-Unis	213	-1578	-600
UTC-9h Anchorage / États-Unis	612	-1499	-540
UTC-8h Los Angeles / États-Unis	340	-1182	-480
UTC-7h Calgary / Canada	510	-1140	-420
UTC-6h Mexico / Mexico	236	-1025	-360
UTC-5h New York / États-Unis	407	-740	-300
UTC-4h Santiago du Chili / Chili	-334	-705	-240
UTC-3h São Paulo / Brésil	-235	-466	-180
UTC-2h Fernando de Noronha / Brésil	-38	-324	-120
UTC-1h Praia / Cap Vert	149	-235	-60
UTC Londres / Royaume-Uni	515	0	0
UTC+1h Paris / France	488	23	60
UTC+2h Le Caire / Egypte	300	312	120
UTC+3h Moscou / Russie	557	376	180
UTC+4h Dubaï / Emirats arabes unis	252	553	240
UTC+5h Karachi / Pakistan	248	770	300
UTC+5h30 Mumbai / Inde	190	728	330
UTC+5h45 Kathmandu / Nepal	277	853	345
UTC+6h Dhaka / Bangladesh	237	904	360
UTC+6h30 Rangoon / Myanmar	167	961	390
UTC+7h Jakarta / Indonésie	-62	1068	420
UTC+8h Hong Kong / Chine	223	1141	480
UTC+9h Tokyo / Japon	356	1396	540
UTC+9h30 Adelaide / Australie	-349	1385	570
UTC+10h Sydney / Australie	-338	1512	600
UTC+11h Nouméa Nouvelle-Calédonie / France	-222	1664	660
UTC+12h 00:00 (next day) Auckland / Nouvelle-Zélande	-368	1747	720
UTC+13h 01:00 (next day) Tonga	-217	-1751	780

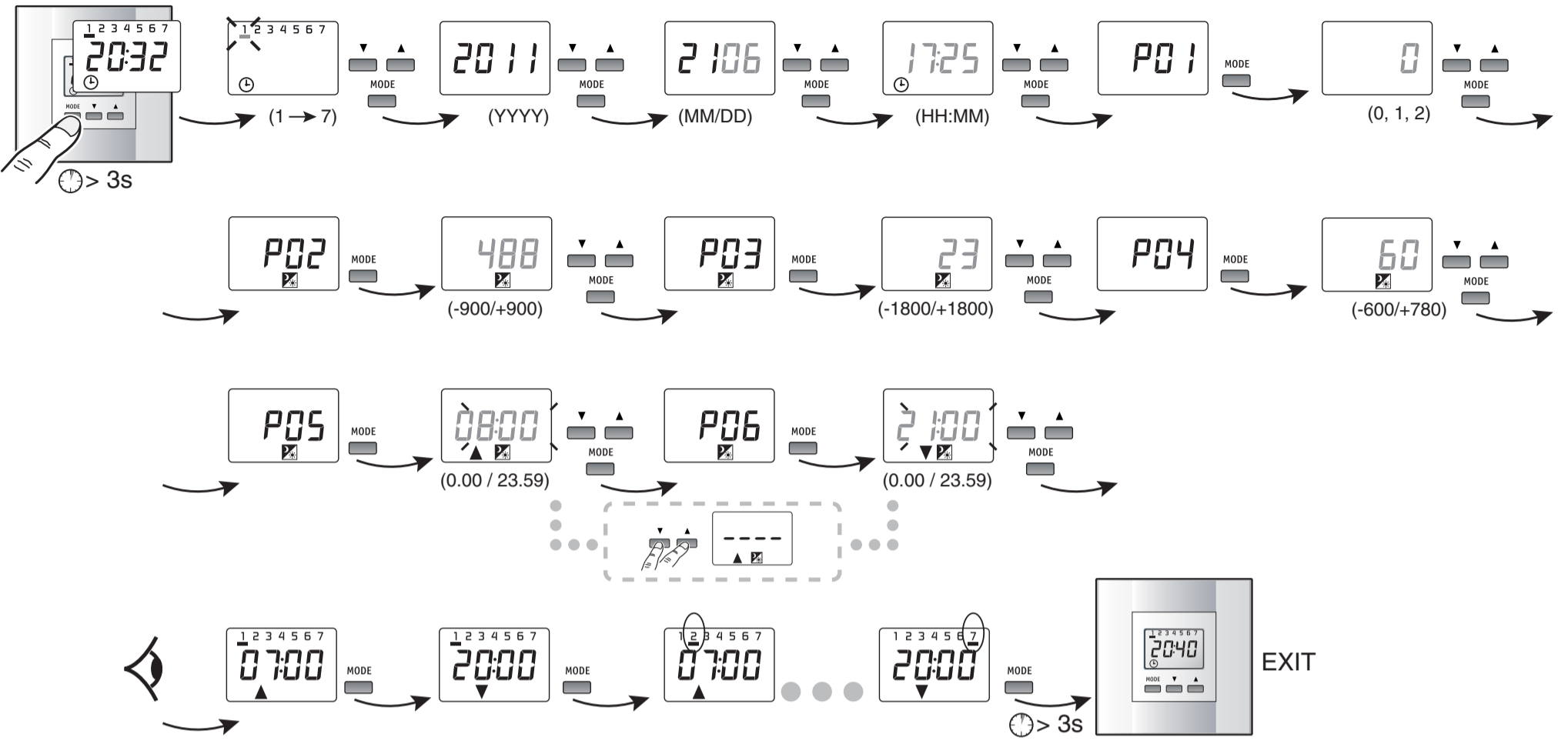
UTC+1h - France (P04 = 60)		P02	P03		
Bastia	427	94	Marseille	432	53
Bordeaux	448	-6	Montpellier	436	39
Bourges	471	24	Nancy	371	-85
Brest	484	-45	Nantes	472	-15
Caen	492	-4	Orléans	479	19
Clermont Ferrand	458	31	Paris lat 48,8° = 488 long 2,3° = 23		
Dijon	473	50	Pau	433	-4
La Rochelle	462	-12	Reims	492	40
Le Mans	480	2	Rennes	481	-17
Lille	506	31	Rouen	494	11
Limoges	458	13	Strasbourg	486	77
Lyon	457	48	Toulouse	436	14

Country / Town	P02	P03
España (P04 = 60)		
Barcelona	414	22
Bilbao	433	-29
Madrid lat 40,4° = 404 long -3,7° = -37		
Malaga	367	-44
Sevilla	374	-60
Valencia	395	-4
Vigo	422	-87
Zaragoza	417	-9
Portugal (P04 = 0)		
Guarda	405	-73
Lisboa	387	-91
Porto	411	-86
Deutschland (P04 = 60)		
Berlin lat 52,5° = 525 long 13,4° = 134		
Dresden	510	137
Düsseldorf	512	68
Frankfurt	501	87
Hamburg	536	10
Hannover	524	97
München	481	116
Stuttgart	488	92
Polska (P04 = 60)		
Gdańsk	544	186
Kraków	501	199
Łódź	518	195
Poznań	524	169
Warszawa lat 52,2° = 522 long 21,0° = 210		
Guadeloupe / Martinique (P04 = -240)		
Guadeloupe	162	-615
Martinique	146	-610

Country / Town	P02	P03
United Kingdom (P04 = 0)		
Birmingham lat 52,5° = 525 long -1,9° = -19		
Glasgow	559	-43
Liverpool	534	-30
London	515	-1
Rep.Ireland (P04 = 0)		
Dublin lat 53,3° = 533 long -6,3° = -63		
North Ireland (P04 = 0)		
Belfast lat 54,6° = 546 long -5,9° = -59		
België (P04 = 60)		
Brussel lat 50,8° = 508 long 4,4° = 44		
Nederland (P04 = 60)		
Amsterdam lat 52,4° = 524 long 4,9° = 49		
rotterdam	519	45
Danmark (P04 = 60)		
Aarhus lat 56,2° = 562 long 10,2° = 102		
København	557	126
Norge (P04 = 60)		
Bergen lat 60,4° = 604 long 5,3° = 53		
Oslo	599	107
Trondheim	634	104
Sverige (P04 = 60)		
Malmö lat 55,6° = 556 long 13,0° = 130		
Stockholm	593	181
Umeå	638	203
Suomi (P04 = 120)		
Helsinki lat 60,2° = 602 long 24,9° = 249		
Joensuu	626	298
Oulu	650	255
Turku	605	223
Italia (P04 = 60)		
Milano lat 45,5° = 455 long 9,2° = 92		
Palermo	381	134
Roma	419	125



🕒 + 31



OR

